

DRI-Line Series

'LNL' Low Noise Level Drying System

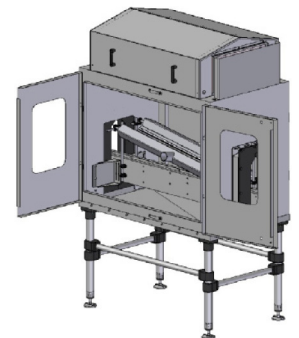
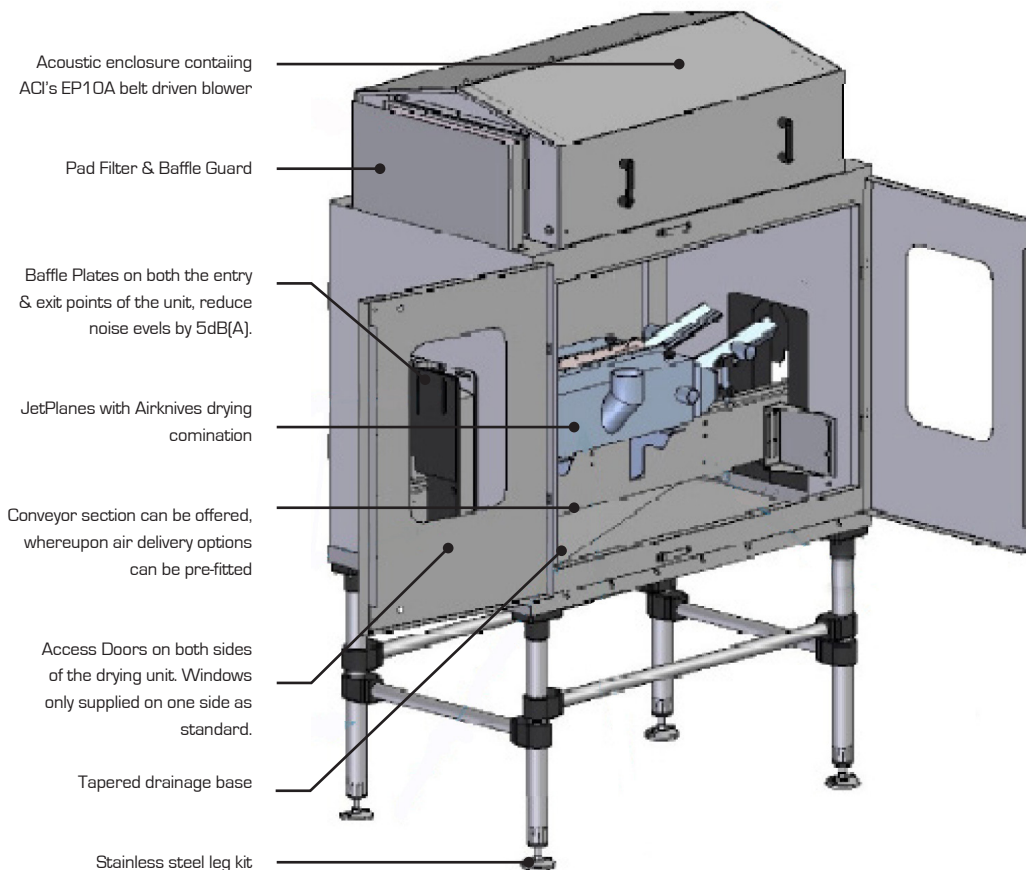
Configuration	LNL - Low Noise Level
Product Category	All bottles/cans/pouches
Application Area	Drying complete bottles/cans etc

The 'LNL' fully-enclosed drying system is ACI's premium bottle and can drying solution, where both the centrifugal blower and the air delivery device(s) are completely contained within a robust stainless steel enclosure.

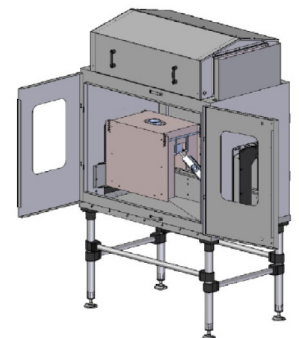
System Options:

Option	Blower Specification	Air Delivery Device	ACI Part Number
1	15kW EP10A Blower (18-19,000 rpm)	2 x JetPlates, 2 x 320mm St.St.Airknives	LNL-03 15KW
2	15kW EP10A Blower (18-19,000 rpm)	Can Tunnel with 2 x 300mm St.St.Airknives	LNL-04 15KW
3	15kW EP10A Blower (18-19,000 rpm)	2 x 1200mm St.St.Airknives with 4 flexible nozzles	LNL-05 15KW

'LNL' Illustrated with JetPlate/Airknives:



'LNL' illustrated with Can Drying Tunnel and Airknives

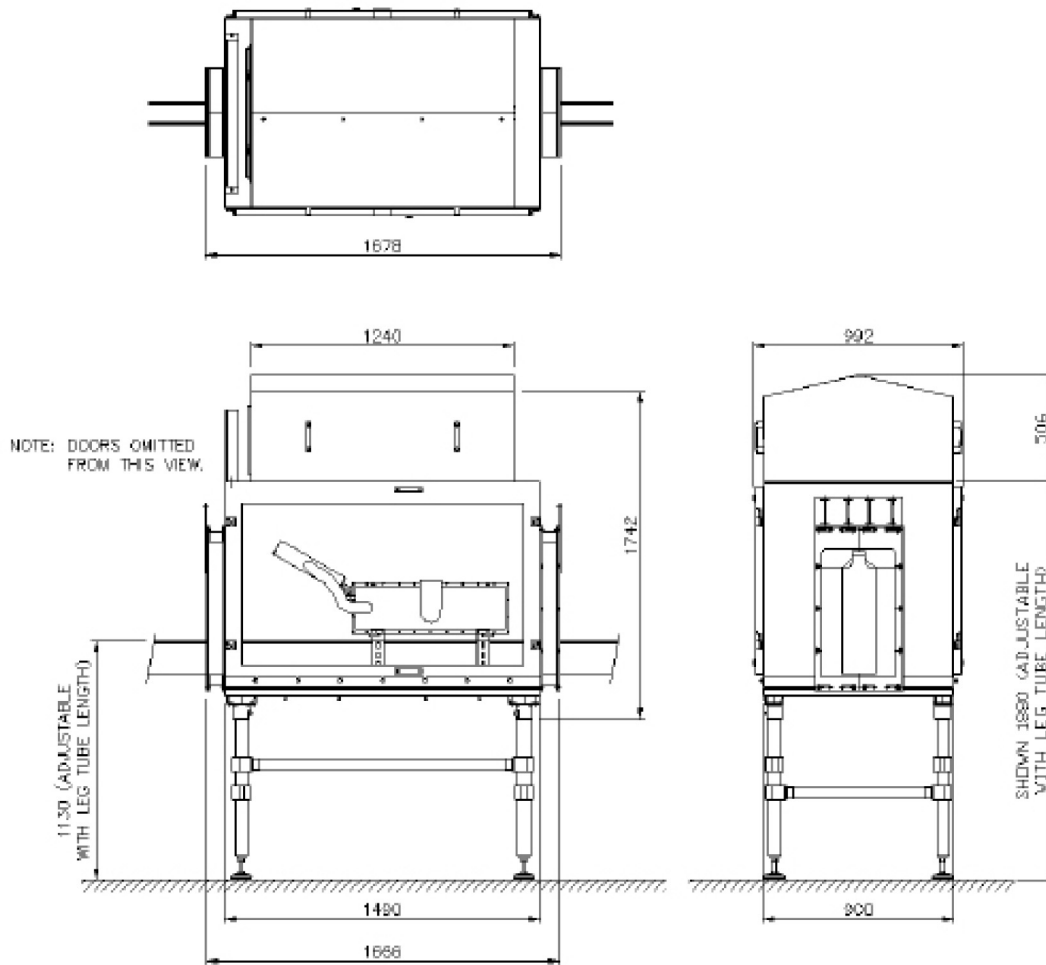


'LNL' illustrated with Airknives only

Please note [1] - all drawings measurements are in millimeters (mm)
 Please note [2] - above technical specifications are subject to change

System description:

ACI's 'LNL' drying system is a fully enclosed unit as both the EP10A compact blower and the chosen air delivery device(s) are housed within a sealed, robust acoustic enclosure. This not only protects the compact blower from any spray contamination, but also attenuates noise levels below 85dB(A). A length of conveyor section can also be offered allowing air delivery devices to be pre-fitted. Baffle tunnels can also be added, further reducing noise levels by upto 5dB(A).



Other options:

These will include the following:

Air Delivery Devices

ACI can offer a number of alternatives to delivering the air to the product, including Stainless Steel Airknives, JetPlates, Can Tunnels, Neck and Cap Dryers.

Ducting

In addition to standard flexible hose, both solid stainless or galvanised steel are available.

Enclosures and pedestals

A number of mounting configurations/blower enclosures are available. Detailed advice can be given to customers on application by our Technical Sales Department.

Starters

ACI are able to offer a range of starters for all budgets.