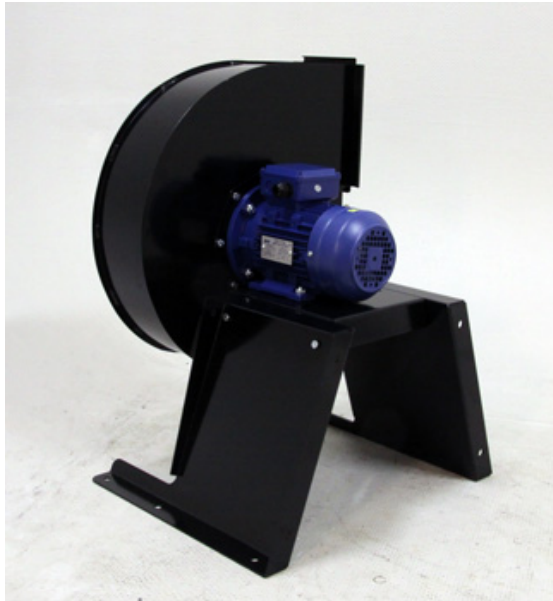




Dynamic Engineering Australia

V-Max Central fans 1300 • 2100 • 3000 • 4600 m³/h

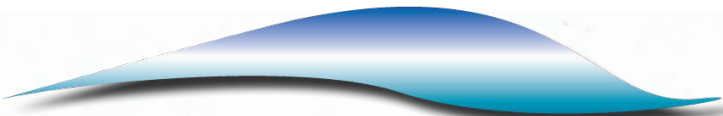
The Plymouth V-Max central fans are designed specially for smoke, gas and lighter dust. Our fans are made of heavy steel plate and come complete with stands for mounting on floors, walls or ceilings.



Energy savings for welding operations Automatic Damper S-Max©

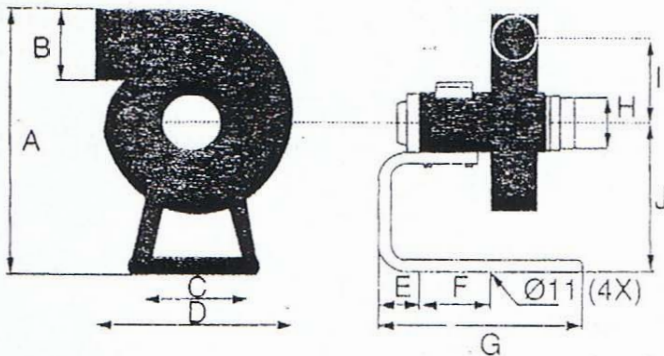
An extraction system with a central fan unit can be equipped with an Automatic damper S-Max to save energy when welding. One damper per extractor is needed. The damper automatically starts working when the welding starts and operates only during the arc time. The amount of extracted hot air can be reduced up to 90 percent. A substantial saving!

	Art. No.
Central Fan V-Max 1300 0.37kW / 3-phase with support for floor/wall/ceiling mounting.	P-131
Central Fan V-Max 2100 0.75kW / 3-phase with support for floor/wall/ceiling mounting.	P-132
Central Fan V-Max 3000 1.1kW / 3-phase with support for floor/wall/ceiling mounting.	P-133
Central Fan V-Max 4600 2.2kW / 3-phase with support for floor/wall/ceiling mounting.	P-134

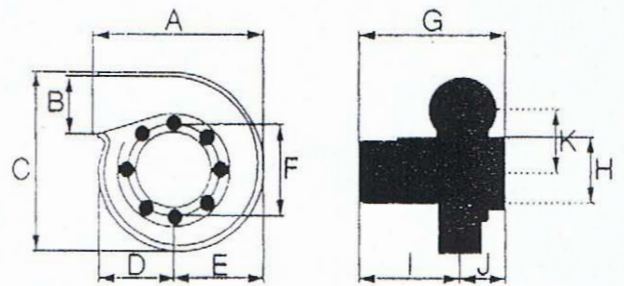


Dynamic Engineering Australia

V-Max[®]



P-Max[®]



Mått (mm)	A	B	C	D	E	F	G	H	I	J
V-Max [®] 1300	670	Ø200	415	390	90	255	420	Ø160	140	430
V-Max [®] 2100	670	Ø200	415	390	90	255	420	Ø160	140	430
V-Max [®] 3000	750	220x145	415	520	90	255	420	Ø250	140	425
V-Max [®] 4600	750	220x145	415	520	90	255	420	Ø250	140	425
P-Max [®] 1300	390	Ø200	415	150	200	230	345	Ø160	205	80
P-Max [®] 2100	390	Ø200	415	150	200	230	350	Ø160	215	80
P-Max [®] 2100 T	390	Ø200	415	150	200	230	350	Ø160	215	80

Dynamic Engineering Australia Pty Ltd

7/52 Kent Street Cannington WA 6107 | Ph: (08) 9356 7633 | Fax: (08) 9356 7644

Email: sales@dynamiceng.com.au | www.dynamiceng.com.au