

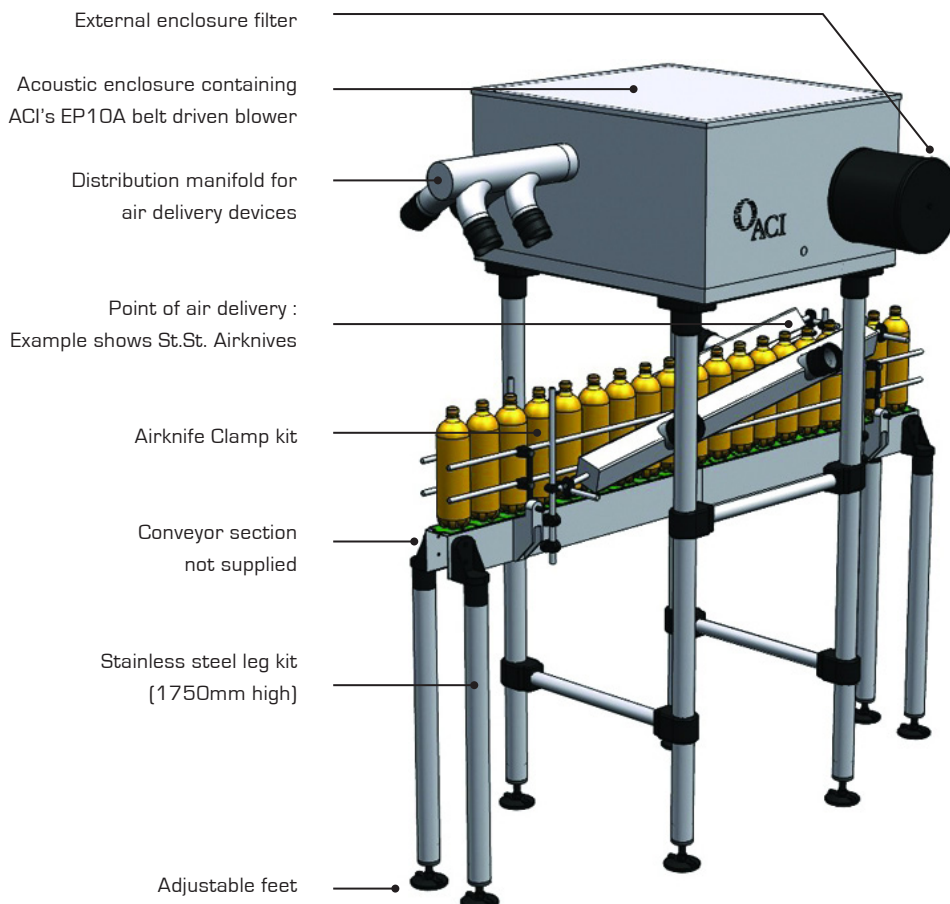
## DRI-Line Series 'EL' (Eye Level) Drying System

<b>Configuration</b>	Eye Level Drying System
<b>Product Category</b>	All bottles/cans/pouches etc
<b>Application Area</b>	All bottles/cans/pouches etc

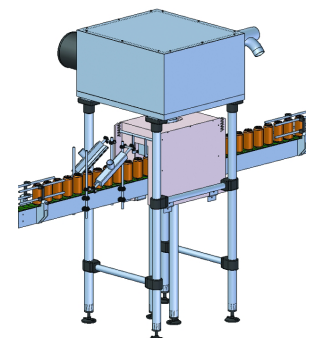
ACI's 'EL' system is a semi-enclosed unit where the blower is contained within a Stainless Steel Enclosure. Additional protection to the blower is given by mounting the enclosure to a leg kit that is easily positioned either to the side or directly above the filling line.

### System options:

Option	Blower Specification	Airknife Length	ACI Part Number
1	15kW EP10A Blower (18-19,000 rpm)	2 x 1200mm St St Airknives each fitted with x2 flexible nozzles	EL-01 15KW
2	15kW EP10A Blower (18-19,000 rpm)	2 x JetPlates, 2 x 320mm St St Airknives	EL-02 15KW
3	15kW EP10A Blower (18-19,000 rpm)	Can Tunnel (4 slot) with 2 x 500mm St St Airknives	EL-03 15KW



'EL' illustrated with JetPlate & Airknife Combination



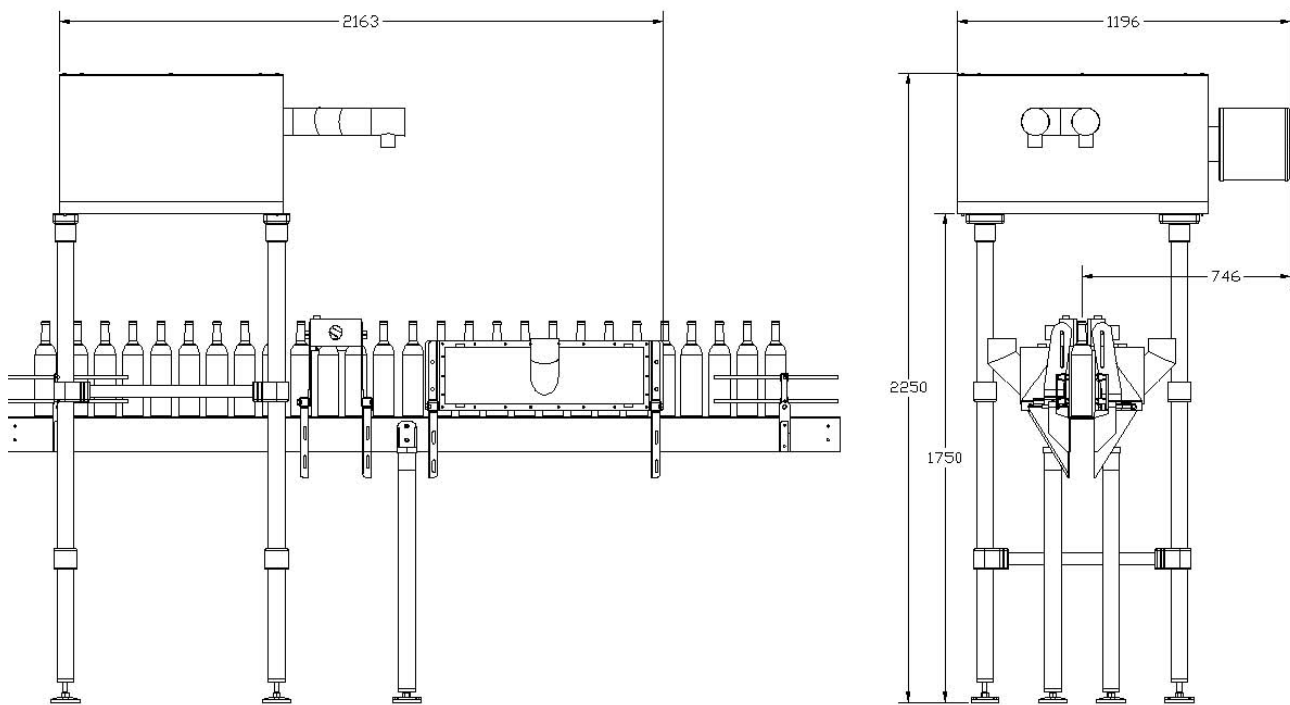
'EL' illustrated with Can Tunnel & Airknives

Please note [1] - all drawings measurements are in millimeters (mm)  
Please note [2] - above technical specifications are subject to change

**System description:**

ACI's 'EL' Drying System configuration protects the compact blower from any spray contamination emanating from the air delivery device. Noise levels are approximately 90dB(A)

Outline drawing (shown with JetPlates & Neck Dryer):



**Other options:**

These will include the following:

**Air delivery devices**

ACI can offer a number of alternatives to delivering the air to the product, including Stainless Steel Airknives, JetPlates, Can Tunnels, Neck and Cap Dryers.

**Ducting**

In addition to standard flexible hose, both solid stainless or galvanised steel are available.

**Enclosures and pedestals**

A number of mounting configurations/blower enclosures are available. Detailed advice can be given to customers on application by our Technical Sales Department.

**Starters**

ACI are able to offer a range of starters for all budgets.